

## **Product Description**

The Denon RC-770 TW wired remote control is specifically designed for use with the Denon DN-770 R or DN-770RM professional audiocassette player-recorder. The remote control connects to the cassette deck using a male to male (3.5 mm.) 1/8 inch stereo tip, ring sleeve cable. A cable with molded plugs is furnished with each remote control.

**NOTE: Do not connect or disconnect the remote control while the cassette machine is in operation. The partial short experienced when plugging in the remote control unit can stop the machine's operation. Power to the deck should be turned off while making or breaking connections to the remote control.**

## **Installation**

Turn off the power to the audio cassette recorder. Connect one end of the control cable to the remote control jack located on the rear of the DN-770. Plug the remaining end of the control cable into the jack on the rear of the RC-770 remote control. Power to the deck may now be restored. Installation is complete.

## **Control Cable Extension**

If desired, the control cable length may be extended by a reasonable amount. Should you elect to make up your own extension cable, use a quality, shielded two-conductor cable. Pre made extension cables with molded plugs are available at electronic supply stores. Note that the longer the cable length, the more susceptible the system can be to possible effects of external noise pickup by the control cable. For reliable remote control operation, do not locate equipment or other cables that may induce electrical noise to the RC-770 remote control cable.

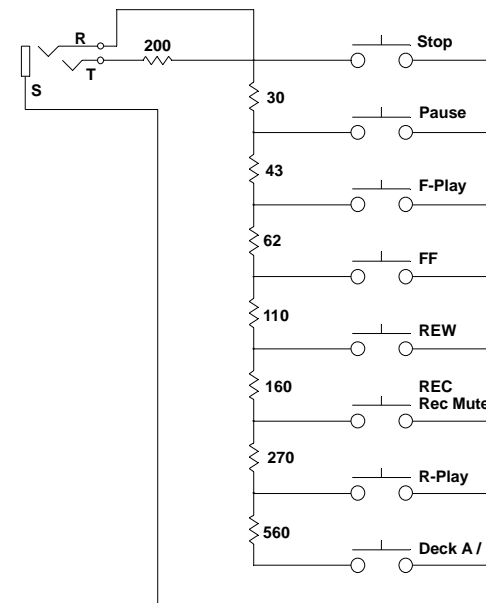
## **Remote Control Functions**

Although functions available on the RC-770 remote control are self explanatory, the following list provides a brief overview of basic remote functions. For detailed remote control function explanations please consult the DN-770 operators' manual.

- The white DECK A / B button toggles control commands from the DN-770's "A" or left transport to the "B" or right transport.
- The gray REW starts the fast speed rewind tape motion.
- The gray F-FWD button starts fast speed forward tape motion.
- The green F PLAY button issues a forward direction play command to the selected transport.
- The blue R PLAY button issues a reverse direction play command to the selected transport.
- The yellow PAUSE button will function only while the RECORD mode is active. The deck will remain in RECORD and tape motion will be paused.
- The red REC button will set the machine into the record pause mode. A PLAY button must then be pressed to begin recording. Refer to the DN-770 operators manual for the many details of RECORD MUTE functions.

*NOTE: The "MUSIC SEARCH" mode cannot be initiated from the RC-770 TW remote control.*

## **RC-770 TW SCHEMATIC DIAGRAM**



**All resistors, carbon film, 1 / 4 watt, 5 % tolerance**

# DENON

**RC-770 TW**  
**Remote Control**

For use with Denon Professional  
Dual Stereo Cassette Decks

**Denon Electronics USA**  
**19 Chapin Road**  
**Pine Brook, NJ 07058**  
**973-396-0810**

**Denon Electronics USA**  
**Made In USA**