

## Product Description

The Denon RC-680 wired remote control is specifically designed for use with the Denon DN-C680 professional CD Player. The remote control supports all functions available in the DN-C680's remote control connector. The RC-680 remote control can also be used with other model Denon CD players such as the DN-650F, DN-951 FA and DN-961 FA ( See below function descriptions for functional exceptions and details of use with other models ). A DB-25, male to female control cable is furnished with each RC-680 remote control.

**NOTE: CD players that can use this remote control may have machine software "PRESET" selections that can have an effect on remote control functions. These preset selections can be set to select that all remote control commands can be inhibited. Other settings can disable or modify certain remote commands once the "play" command has been issued. Please consult the manual for your unit before connecting this remote control for the appropriate menu settings to avoid operating difficulties.**

## Installation

With power to the CD player turned off, connect the male end of the supplied DB-25 cable assembly to the remote control connector on the rear of the CD player to be controlled. Connect the other end to the the RC-680 remote control unit. Turn on power to the CD player. Installation is now complete. Consult your machines operators manual for detailed instructions regarding "preset modes" and machine operation. **Make sure that the "remote inhibit mode" is not activated.**

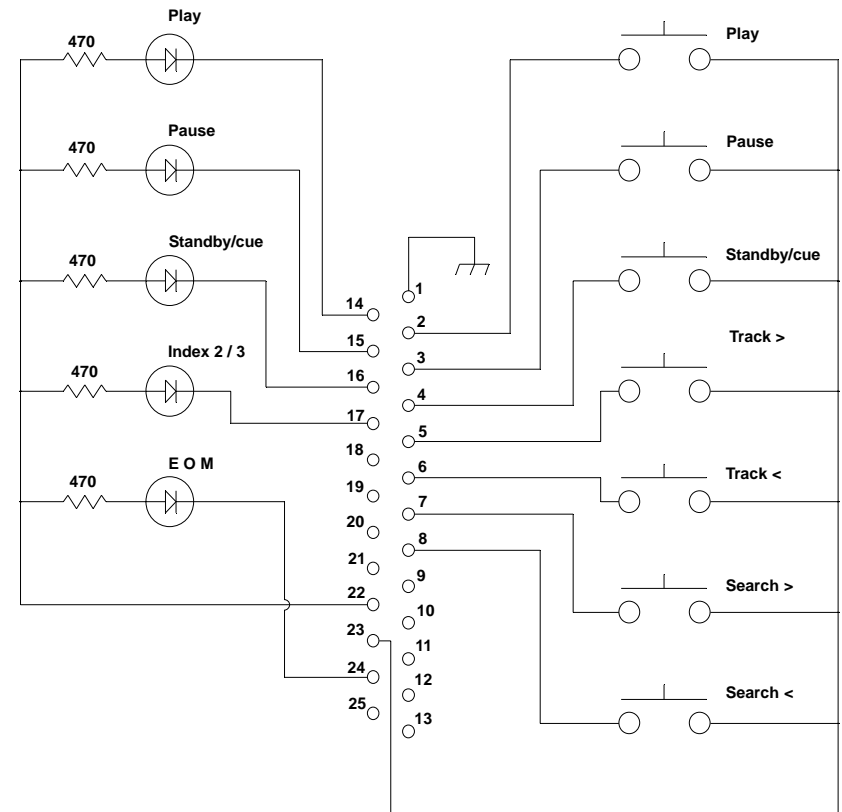
## Compact Disc Remote Functions

The remote control functions and tally indications supported by the RC-680 are only those that are made available at the parallel remote control connector of the DN-C680 or other Denon CD player to which the remote control is connected. The EOM and INDEX indicators may not be available on some model CD players. Furthermore, EOM and INDEX tally functions may be combined on some models. Please note that most Denon CD players have machine software preset menu functions. These preset selections must be set properly selected prior to using the RC-680 remote control. PRESET features include "Play Lock" which is a preset which can be set to disable certain buttons' functions once the "play" command has been issued. "Tally Flash" preset can decide to flash or not to flash the remote control's tally LEDs. The "EOM Indicator" can be activated to flash the EOM led when a pre-selected amount of time remains on the current cut being played. When "EOM" is active, the Play LED will also begin to flash when the EOM preset time has been reached.

The RC-680 remote control has an individual yellow PAUSE button. The PAUSE function is a alternate function combined on many CD player front panels with the PLAY function. The PAUSE button will halt playback at the point at which it is pressed. Pressing the PLAY button will resume playback at the point at which the PAUSE command was issued. Pressing STANDBY-CUE will return to the beginning of the selected cut.

## RC-680 DB-25 connector

1- Chassis Gnd.	9- Fader Start	17- Index 2 / 3 tally
2- Play function	10- nc	18- nc
3- Pause function	11- nc	19- nc
4- Standby / cue function	12- nc	20- nc
5- Track > function	13- nc	21- nc
6- Track < function	14- Play tally	22- + 5 vdc @ 80 ma. Max
7- Search > function	15- Pause tally	23- Command common
8- Search < function	16- Standby / cue tally	24- EOM tally
		25- nc



RC-680 Schematic